

Smart Lock **Showcase Lock**

# Enhance customer service and increase sales.

Smart Lock is the first electronic lock and key system designed to deliver superior security protection for items merchandised or inventoried inside cabinets. The operational efficiency, improved customer service and speed to check out makes Smart Lock the perfect locked cabinet solution.

- › Sales associates are empowered to access locked display cabinets, delivering a more timely response to customers
- › Enhanced interaction with customers will result in increased sales
- › The IR2 Key and IR2-S Key eliminate the need to search for a manager with the “master” mechanical key set

### Showcase Lock Specs

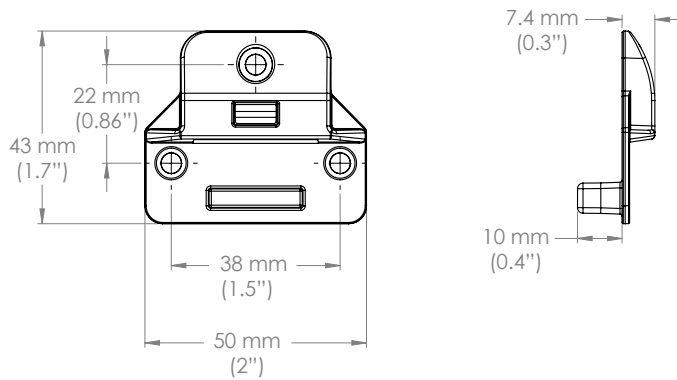
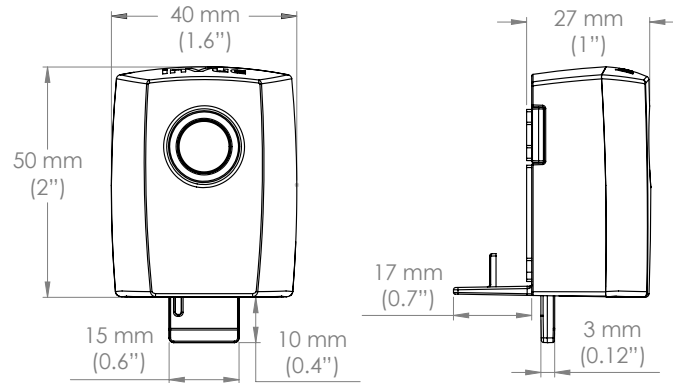
- › Designed for swing-out glass doors
- › Brace option enables protection of double doors with a single lock
- › Simple installation with common tools
- › No re-keying of locks when keys are lost, broken or stolen
- › E Ink® display provides visual confirmation that lock is locked or unlocked



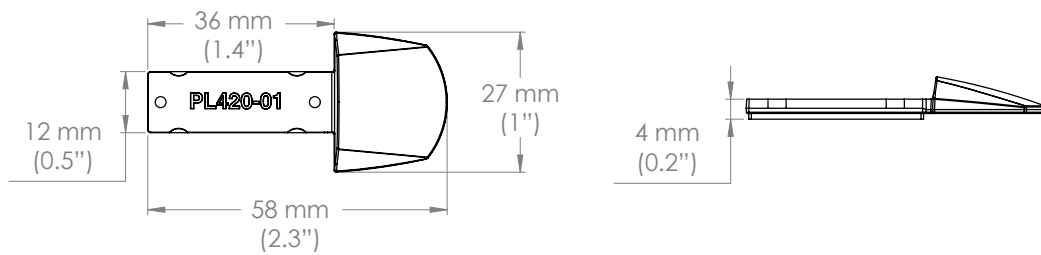
Lock Status Indicator



**PL401**



**PL420-01**



InVue's Smart Lock utilizes the new InVue IR2 Key. The IR2 Key provides a unique store code and time out feature for added security. And the IR2 Key will also work with all InVue PODs.





**SHOWCASE LOCK**

ORDER CODE	DESCRIPTION	ORDER QTY.	CARTON QTY.
PL401-B PL401-W	Showcase Lock	1	25
PL140-01	Brace Accessory Kit	1	25
PL441	Replacement Adhesives (for PL401)	1	25
PL451	Removal Tool	1	25

**CORPORATE OFFICE** // North America // 704.752.6513 // 888.55.INVUE

**EUROPEAN OFFICE** // The Netherlands // +31.23.8900150

**ASIAN OFFICE** // Hong Kong // +847.3127.6811

**LATIN AMERICA OFFICE** // Mexico // +52.55.90003957