

Smart Lock **Drawer Lock**

Enhance customer service and increase sales.

Smart Lock is the first electronic lock and key system designed to deliver superior security protection for items merchandised or inventoried inside cabinets. The operational efficiency, improved customer service and speed to check out makes Smart Lock the perfect locked cabinet solution.

- › Sales associates are empowered to access locked display cabinets, delivering a more timely response to customers
- › Enhanced interaction with customers will result in increased sales
- › The IR2 Key and IR2-S Key eliminate the need to search for a manager with the “master” mechanical key set

Drawer Lock Specs

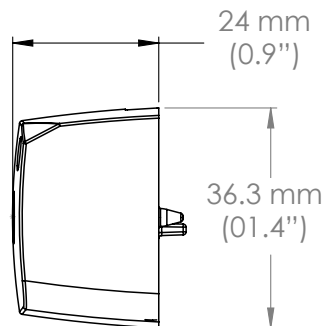
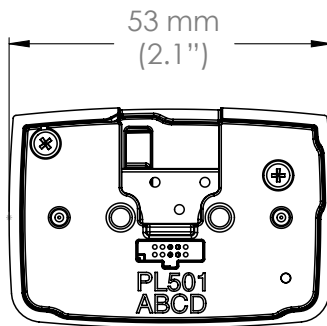
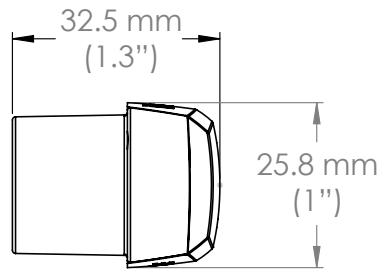
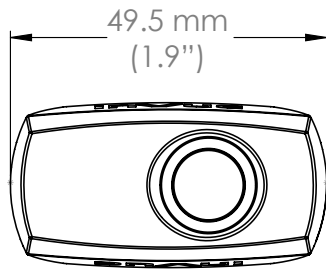
- › Designed for pull-out drawers with 19mm hole
- › Drawer arms provide installation flexibility
- › Two-piece design places electronic mechanism inside the drawer
- › Simple installation with common tools
- › No re-keying of locks when keys are lost, broken or stolen
- › E Ink® display provides visual confirmation that lock is locked or unlocked



Lock Status Indicator



PL501



InVue's Smart Lock utilizes the new InVue IR2 Key. The IR2 Key provides a unique store code and time out feature for added security. And the IR2 Key will also work with all InVue PODs.





DRAWER LOCK

ORDER CODE	DESCRIPTION	ORDER QTY.	CARTON QTY.
PL501-B PL501-W	Drawer Lock	1	25
PL520-SK	Drawer Arm Kit	1	25
PL520-2001	Drawer Arm Straight 1-1/16"	1	25
PL520-2002	Drawer Arm Straight 1-11/16"	1	25
PL520-2003	Drawer Arm Straight 2-5/16"	1	25
PL520-2004	Drawer Arm Straight 3-1/8"	1	25
PL520-2205	Drawer Arm Offset 1-5/8" x 3/8"	1	25

CORPORATE OFFICE // North America// 704.752.6513// 888.55.INVUE

EUROPEAN OFFICE // The Netherlands // +31.23.8900150

ASIAN OFFICE // Hong Kong // +852.3127.6811

LATIN AMERICA OFFICE // Mexico // +52.55.90003957

©2013 InVue Security Products. No endorsement of InVue products has been made by any of the manufacturers of the products shown. Product is sold pursuant to InVue's warranty which can be found at www.invuesecurity.com/english/warranty.html

