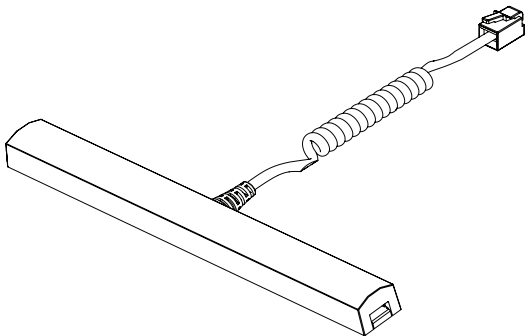


invue®

LTO III
Bar Sensor
LTO1502



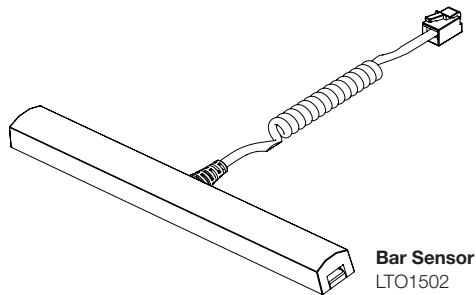
Read entire instruction guide before starting installation.

System Components

1. Bar Sensor
2. IR Key (*not included*)

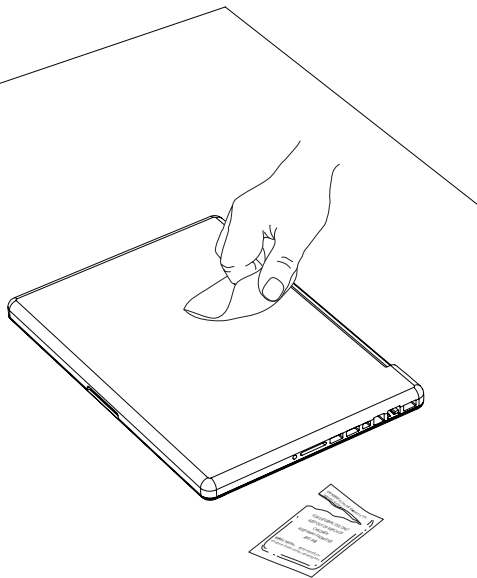
System Overview

The LTO III Bar Sensor protects all laptops.

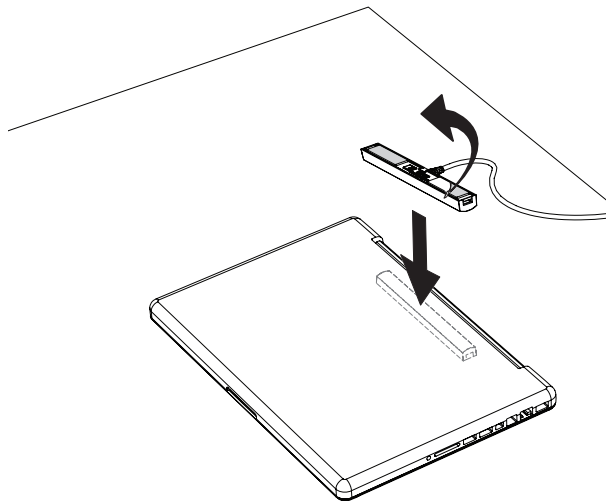


InVue IR Key
AF4400 or PK4400

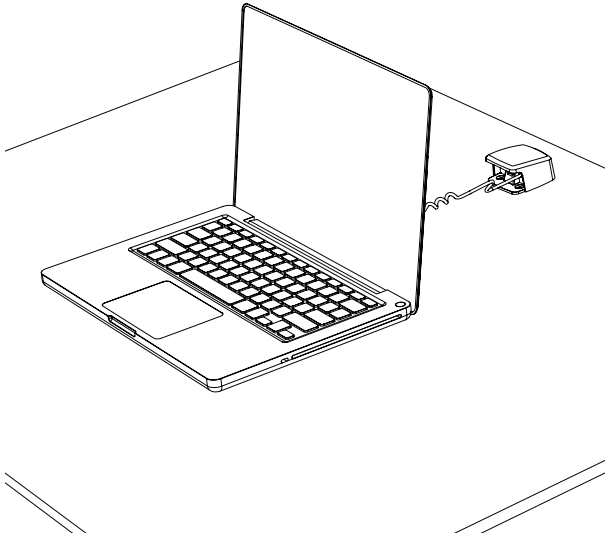
- 1** Wipe bottom of merchandise with alcohol wipe provided. Let it dry completely.



- 2** Remove clear film from both adhesives on bar sensor. Press firmly onto bottom of merchandise for at least 10 seconds.



3 Plug bar sensor into LTO fuse.



inVUE®

tough security made easy

www.invuesecurity.com

Corporate Office (North America) // 704.752.6513 • 888.55.INVUE

Europe, Middle East & Africa // +31.23.8900150

Asia Pacific // +852.3127.6811

Latin America // +52.55.90003957